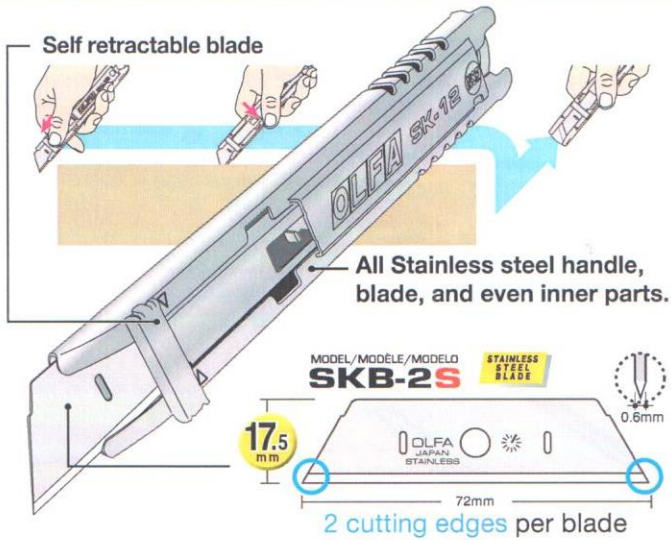




SK-12 "OLFA for the first time in its history to come to the food industry market proudly with the SK-12."

Washability of the SK-12 is perfect for work environment where water is circulated and keen sanitary supervision is requisite.



Use of Knives in Food Industry

A knife is a must for cutting packing materials of foodstuff. Regarding to using a cutting tool for food processing, there are 3 main problems concerned, unique in Food Industry.



Injuries

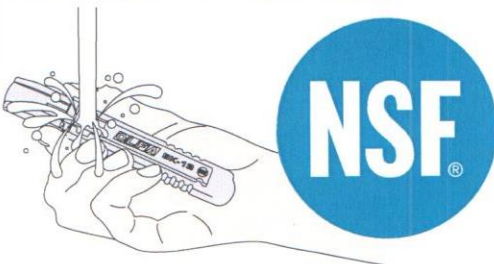
Metal Detectability

Sanitary Supervision

The SK-12 is a promising product in food industry.

! Metal Detector is NOT always perfect: Detecting ability also differs depending on the machine and/or category of food being detected.

NSF approved - Washability



Perfect for environment where keen sanitary supervision is requisite. Can be washed, and sanitized with sodium hypochlorite.

Cleaning Instructions

Washing



Full-Scale Washing

Cleaning

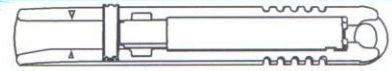


Rinse off well under running water.



Dry well.

! Soaking in solution for too long, or leaving with remaining solution on for a long time will rust the SK-12, and may result in becoming unusable.

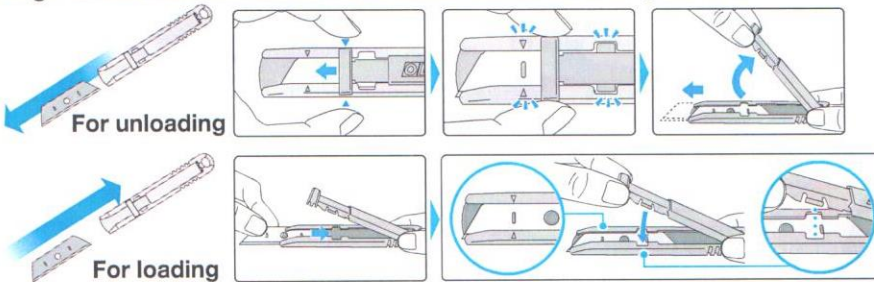


What does that NSF logo mean to you and your customers?

A product that has been put through rigorous testing and meets the NSF standards for approval receives the seal to be placed on the product. The NSF seal is generally accepted by county health departments. Products are repeatedly tested year after year to ensure that they are still meeting the standards.

Tool-free easy blade exchange

Align arrows on handle to notches on blade to change blade.



The new SKB-2S stainless steel blade is resistant to corrosion, and its exchangeability makes it economical. No tools are required to exchange the blade.

Packed as usage



MODEL	PACKAGE	BARCODE		INNER BOX		INNER CARTON
SK-12	Blister Packed CARD SIZE: 80x220mm	0 91511 42007 4	6 pcs.	100 91511 42007 1	120 pcs.	500 91511 42007 9
SKB-2S/10B	Blister Packed CARD SIZE: 63x160mm	0 91511 43003 5	6 pcs.	100 91511 43003 2	240 pcs.	500 91511 43003 0
SK-12/24	Bulk Packed PACKAGE SIZE: 40x160mm	0 91511 22019 3	24 pcs.	100 91511 22019 0	144 pcs.	500 91511 22019 8

! WARNING !

1. Blade is extremely sharp. Handle with care.
2. Wear safety goggles and gloves.
3. Keep out of the reach of children.

URL <http://www.olfa.co.jp/en>

MANUFACTURED BY OLFA CORPORATION OSAKA 537-0021, JAPAN



PRINTED IN JAPAN



NSF approved Washability

SK-12

All Stainless Steel Safety Knife

PAT.P

STAINLESS
STEEL
BLADE

FOR BOTH
RIGHT- and LEFT-
HANDED USERS



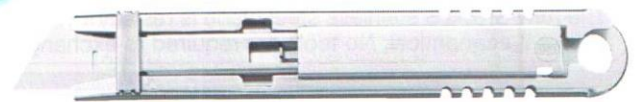
All Stainless Steel handle
and blade

Self-Retracting

Easy Blade Exchange



Designed for
Food Industry



FRONT SIDE



BACK SIDE

The SK-12 features:

- All stainless steel body and blade
- Self retractable blade
- NSF approval
- Easy storage management
- Tool-free easy blade exchange



OLFA[®]
THE ORIGINATOR SINCE 1956

CAT. No. 196