

STI Enviro Stopper®



Ideal for
INDOOR &
OUTDOOR
use



PRODUCT OVERVIEW

A protective cover that is ideal for extending the life and reliability of devices exposed to harsh environments. It offers protection to manual call points and switches against dust and water ingress both outside and inside, as well as preventing tampering, vandalism and damage from accidental or malicious operation.

HOW IT WORKS

Easy to install, the Enviro Stopper consists of a clear, tamperproof, tough polycarbonate cover and back box that can accommodate a standard European call point or switch. When the cover is closed, the unit is sealed and achieves a rating of IP66/56, preventing dust, grime and water getting to the device.

KEY FEATURES

General Information

- Protective cover is ideal for extending the life and reliability of devices exposed to harsh environments.
- Three year guarantee against breakage of polycarbonate in normal use (one year on electromechanical and electronic components).

Design

- Option 6 - Cover, back box and sealed mounting plate achieves IP66 (back box) and IP56 (cover) rating.
- Option 7 - Cover, back box and open mounting plate achieves IP56 (back box) and IP56 (cover) rating.

Construction

- Tough polycarbonate housing can withstand the severest of knocks.

Installation

- Ideal for use in wet or wash down areas, overall rating of IP56/IP66 for the back box.
- Can accommodate a standard European call point or switch.
- Typical working properties of polycarbonate are -40° to 121°C (-40° to 250°F).

Electronics

- Available with or without a 95 dB integral sounder, powered by a 9V PP3 battery (included).

Options

- One breakseal is supplied with each model. Additional breakseals are available for added security.
- Available in a range of colours.
- Custom labelling available.

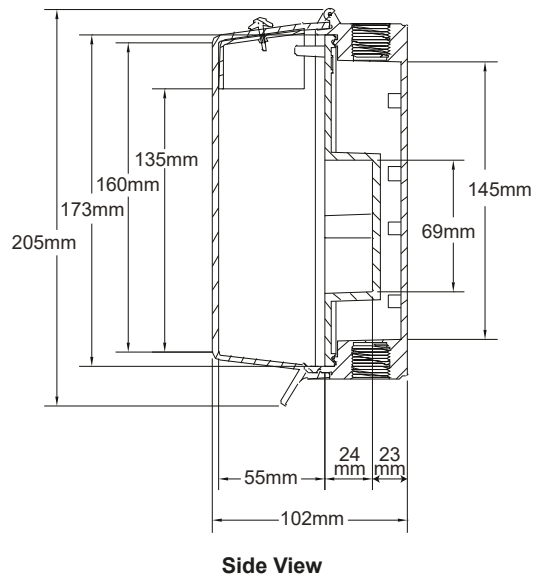
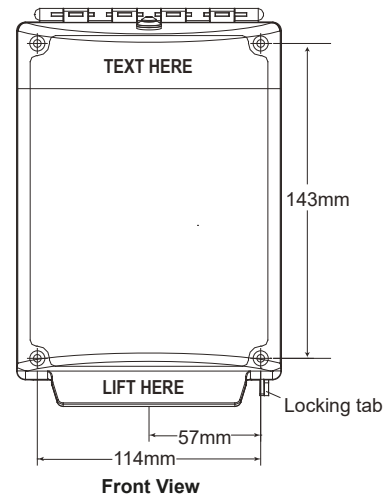
STI Enviro Stopper®

Dimensions and Technical Information

BUILD YOUR OWN MODEL

STI-1

Cover Options:			
3 = Dome cover 4 = Low profile cover			
Mounting Options:			
6 = European enclosed back box & sealed mounting plate 7 = European enclosed back box & open mounting plate • with 20mm entry point			
Hood/Horn Options:			
00 = No Label hood (label option must be NC) 10 = Label hood without sounder ★ 20 = Label hood with sounder ★● 30 = Label hood with sounder and relay ★● ★ All colours except NC ● Not available with Low profile covers			
Housing/Sounder Colour & Label Options:			
FR (red) - IN CASE OF FIRE - LIFT COVER / ACTIVATE FIRE ALARM FR-BREAK (red) - IN CASE OF FIRE - LIFT COVER / BREAK GLASS FR-PULL (red) - IN CASE OF FIRE - LIFT COVER / PULL FIRE ALARM EG (green) - IN CASE OF EMERGENCY - LIFT COVER / BREAK GLASS TO OPEN DOOR			
No Label	Custom Label	For custom label option, must provide wording (2 lines, 30 characters per line including spaces limit)	
NB = Blue	CB = Blue		
NC = Clear	CG = Green		
NG = Green	CR = Red		
NR = Red	CW = White		
NW = White	CY = Yellow		
NY = Yellow			
Language Options:			
-FR	French	-NL	Dutch
-ES	Spanish	-DE	German
No additional coding is required for an English label			



MODELS AVAILABLE

STI-13610FR Enviro Stopper, (EU enclosed plate & frosted back box) without integral sounder, with ACTIVATE FIRE ALARM label.

STI-13620FR Enviro Stopper, (EU enclosed plate & frosted back box) with integral sounder, with ACTIVATE FIRE ALARM label.

Accessories:

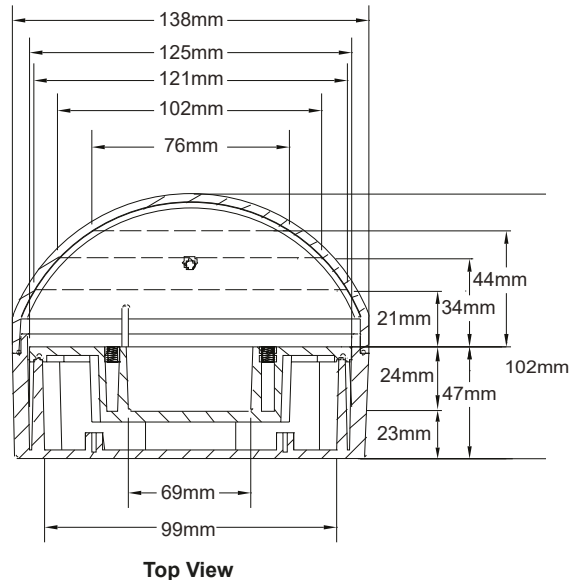
STI/BS Break Seals (Quantity. 10)
KIT-319 Wiring harness for remote power
KIT-EA135 Servicing pin
CKS001 Replacement Sounder Unit

APPROVALS

- ADA Compliant
 - Cover option '3' only has been tested and approved or listed by:
 - UL/CUL Listed No. S2466

Back box, open mounting plate - IP Rating, 56

Back box, sealed mounting plate - IP Rating, 66



Top View



Safety Technology International

Taylor House
 34 Sherwood Road
 Bromsgrove
 Worcestershire
 B60 3DR, England

Tel: +44 (0)1527 520 999
 Fax: +44 (0)1527 501 999
 info@sti-emea.com
 www.sti-emea.com

2306 Airport Road
 Waterford, Michigan
 48327, USA

Tel: 248-673-9898
 Fax: 248-673-1246
 info@sti-usa.com
 www.sti-usa.com