

STI Exit Stopper®



NEW FEATURES INCLUDE

- Visual flashing beacon alarm - to compliment the audible siren
- Choice of 21 language labels for use globally - self install
- Low Battery Warning Indicator
- Universal sound symbols and globally recognised on and off symbols

PRODUCT OVERVIEW

The Exit Stopper is a unique and highly effective way to alert you to any unauthorised exits or entries through emergency exit doors. It can also serve as an inexpensive security device and help prevent theft. It is available in red or green and can be mounted or installed on almost any type of door, including remote placement of the sounder. The highly visible 'STOP' sign discourages unauthorised use of emergency doors.

HOW IT WORKS

If the protected door is opened, the electronic Exit Stopper emits an ear piercing alarm for 30 seconds, 3 minutes or continuously (as preset by the user). A key operated override facility will silence the alarm and allow authorised exits. When the door is closed, a number of reset options are available including an automatic function. A variety of alarm durations and setup features are available (see User Programmable Features chart overleaf). The Exit Stopper is fitted with a 9V PP3 alkaline battery.

KEY FEATURES

General Information

- Prevent unauthorised exits and entries through emergency exit doors.
- Three year guarantee against breakage of polycarbonate in normal use (one year on electromechanical and electronic components).

Design

- Compact design (136mm diameter and 50mm deep).
- Highly visible 'STOP' sign design acts as a deterrent.

Construction

- Virtually indestructible polycarbonate cover is UV-stabilised.

Installation

- Highly versatile; can be mounted or installed on any type of door, including remote placement of sounder.
- Can be installed and protecting doors in minutes.
- Stand alone alarm system.

Electronics

- Powered by a 9V PP3 alkaline battery (included).
- Incorporates a 12/24 VDC connection.
- 40 milliamp 9 VDC trigger output.
- In exit alarm mode, alarm can be set to sound for 30 seconds, 3 minutes or indefinitely (unless disarmed with key supplied or until battery is drained).
- In annunciator mode, it announces door entry with a set of 10 beeps.
- May be programmed for 15 second entry delay or immediate alarm.
- Arming delay allows unit to arm following authorised exits.

Options

- Variety of user programmable features.
- A key operated override facility will silence the alarm and allow authorised exits.
- Available in red and green.

Remote Wireless Monitoring of Exit Doors

- You can be alerted to any vandalism or authorised use of a fire exit door in the event of an emergency. Upon activation, the Exit Stopper (when fitted with an optional transmitter and sounder) will emit a localised alarm as well as triggering the 4-Channel Voice Receiver (STI-V34104) or 8-Channel Receiver (STI 34108), providing a visual and audible indication, remotely.

STI Exit Stopper®

Dimensions and Technical Information

MODELS AVAILABLE

STI-6400	Exit Stopper - Red
STI-6400-G	Exit Stopper - Green
STI-6402	Exit Stopper - for double door installation
STI-6402-G	Exit Stopper - for double door installation - Green
STI-6405	Exit Stopper - with momentary reset
STI-6400WIR	Wireless Exit Stopper - Red
STI-6400WIR8	Wireless Exit Stopper - Red with 8-Channel Receiver
STI-V6400WIR4	Wireless Exit Stopper - Red with 4-Channel Voice Receiver
STI-6402WIR	Wireless Exit Stopper - Red for double door installation

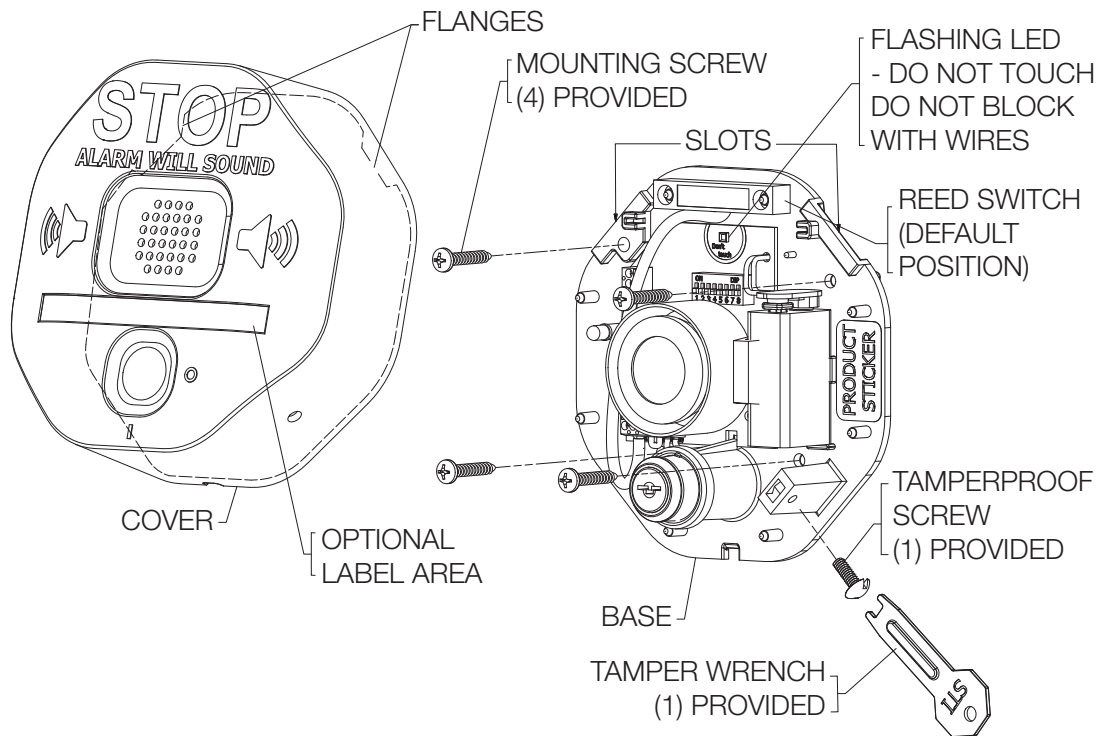
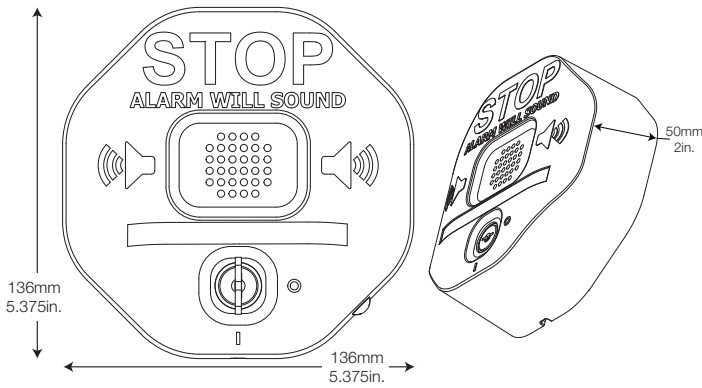
Accessories:

STI-6400-RK	Remote installation kit - white
KIT-6403	Remote 95/105 dB sounder - red
STI-34108	8-Channel Receiver
STI-V34104	4-Channel Voice Receiver
KIT-H19032	Replacement keys (x2)
L6400	Warning "Door Alarmed" label
KIT-H19016	Tamper proof screw and wrench

SPECIFICATIONS

Housing	3mm polycarbonate
Power Source	9 VDC Alkaline (or 12-24 VDC wired)
Sounder Output (at 1 metre)	95 dB - low / 105 dB - high
Relay Output	9 VDC, 40mA
Dimensions	136mm W x 136mm H x 50mm D (5.375 in. x 5.375 in. x 2 in.)
Alarm Current	200mA
Standby Current	10uA
Recommended Operating Temperature	0°C to 45°C (32°F to 113°F)

SWITCH SETTINGS	1	2	3	4	5	6	7	8
Arming - immediate	OFF*							
Arming - 15 second delay	ON							
Trip - immediate		OFF*						
Trip - 15 second delay		ON						
Shut-off based on duration (switches 4 & 5)			OFF*					
Shut-off approx. 3 sec. after door closes			ON					
Duration - 30 second alarm				OFF*	OFF*			
Duration - 180 second alarm				OFF	ON			
Duration - continuous alarm				ON	OFF			
Duration - annunciator mode				ON	ON			
Low battery detection \odot ON						OFF*		
Low battery detection \odot OFF						ON		
Volume - High							ON*	
Volume - Low							OFF*	
Relay Function \odot OFF								OFF*
Relay Function \odot ON								ON



Safety Technology International

Taylor House
34 Sherwood Road
Bromsgrove
Worcestershire
B60 3DR, England

Tel: +44 (0)1527 520 999
Fax: +44 (0)1527 501 999
info@sti-emea.com
www.sti-emea.com

2306 Airport Road
Waterford, Michigan
48327, USA

Tel: 248-673-9898
Fax: 248-673-1246
Toll-free: 0800-888-4784
info@sti-usa.com
www.sti-usa.com