



method™





Open Plan Recycling:

Open plan offices improve collaboration, innovation and corporate culture. Method Recycling addresses the needs of open

plan offices, offering flexible, visible bins promoting collective sustainability.

Be Proud of Your Bins

Create a new perception of recycling

Out in the Open

Avoid inflexible and expensive cabinetry

Standalone Bins

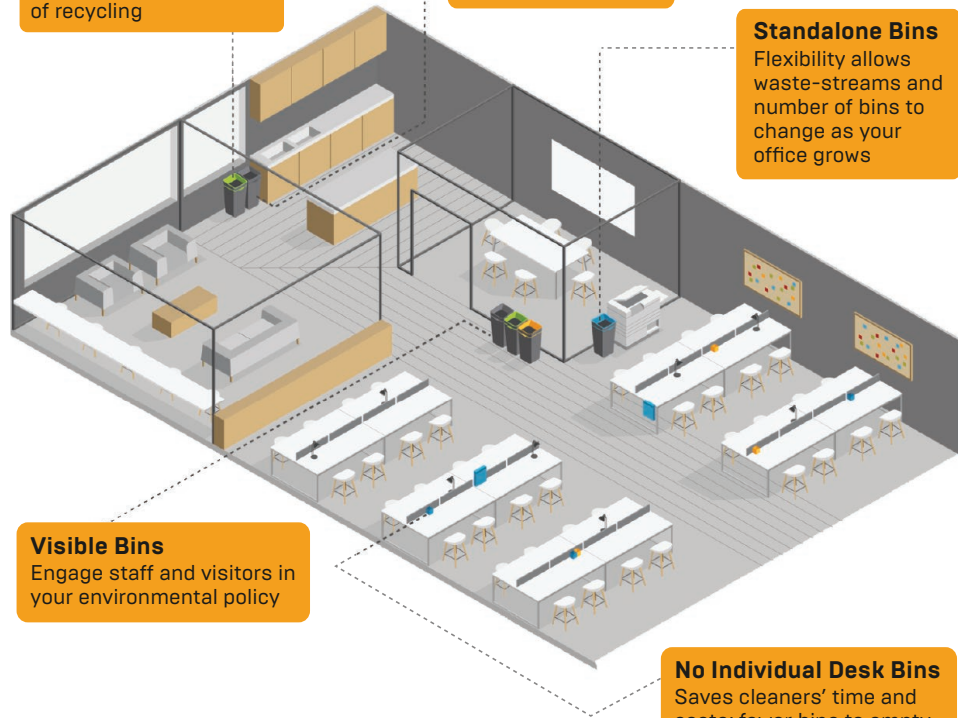
Flexibility allows waste-streams and number of bins to change as your office grows

Visible Bins

Engage staff and visitors in your environmental policy

No Individual Desk Bins

Saves cleaners' time and costs; fewer bins to empty



Product Features:

- Open or Touch (closed) lids
- Modular design - flexible waste streams with clear graphics
- HD Connectors lock bins together to form one station
- Patented Bag Retainer System locks bin liners in place, while hiding them from view
- Designed + made in New Zealand
- Easy to set up - assembly instructions online: methodrecycling.com/assembly

Specifications:

- 60L capacity per bin
- CAD files: methodrecycling.com/resources
- MAd from 100% recyclable polypropylene

Accessories:

- HD Connectors
- Desktop Precyclers



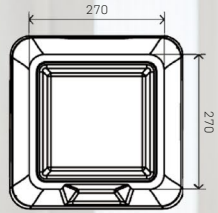
**Best Design Awards
Winner 2015 + 2018**

**Everything you need
to succeed is online.**

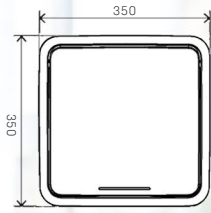
**Check out our guides,
resources + videos:**

**[methodrecycling.com
/resources](http://methodrecycling.com/resources)**

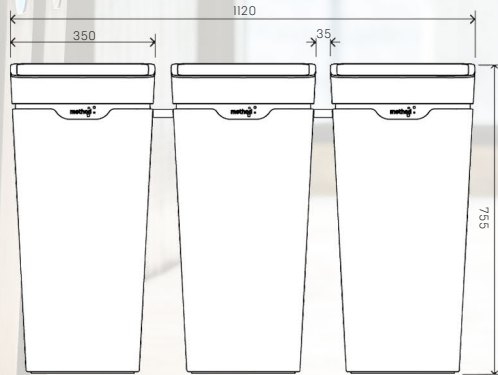
Dimensions:



Open lid



Touch to open lid



Measurements in mm
Open height of closed lid bin - 1010mm

Method - Beautiful Bins:

Method design and manufacture beautiful bins that make recycling a simple, stylish part of modern offices.

Co-founders India and Steven Korner observed the poor quality of recycling solutions available for offices. They saw sophisticated environments with recycling an afterthought – in conflict with the aesthetic created by architects.

With the increasing popularity of open plan offices and activity-based spaces they wanted a bin that was flexible and convenient, not hidden away in cupboards.

‘Design Thinking’ provided the framework for the research and design. Three years later the perfect office recycling bin was launched: a beautiful, functional and flexible solution, for recycling and rubbish.

Designed to simplify the process of recycling and engage users, reducing waste to landfill.

Method Recycling Station Graphics:

Available in open or touch lids



Available in touch lids only



Available in open lids only

